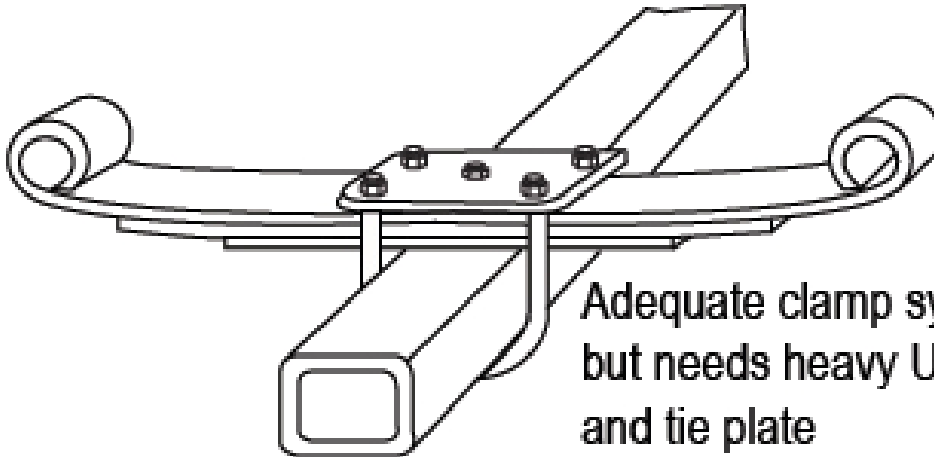
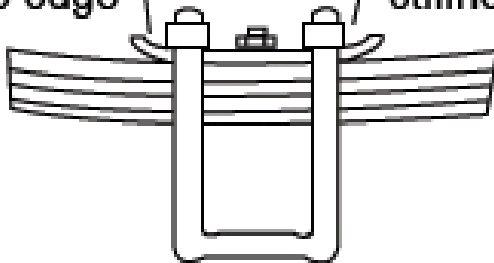


Properly Clamped Spring
Seat makes assembly
stiff for Good Clamping

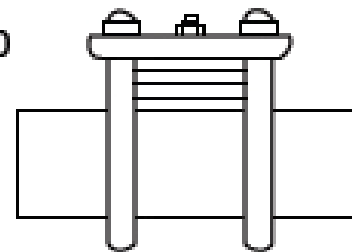


Adequate clamp system,
but needs heavy U-bolts
and tie plate

Radius reduces
abrasion at
clamp edge

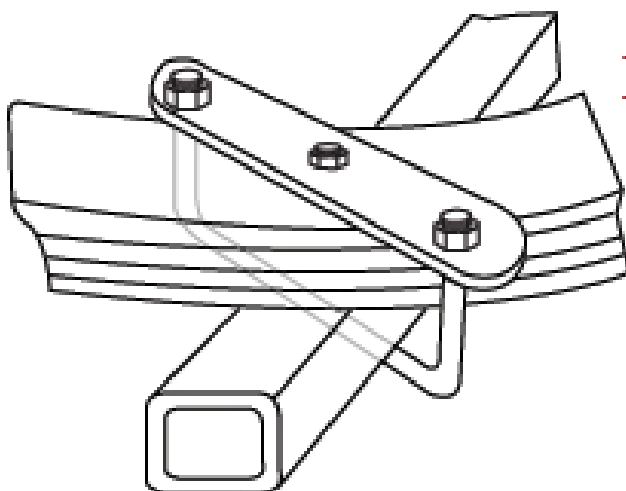


Formed edge
increases clamp
stiffness



Clearance kept to minimum
between Leaves and U-Bolts

**NOT
RECOMMENDED**



Unreliable Method,
Max load stress occurs
at center hole,
**TO BE AVOIDED AT
ALL COSTS**